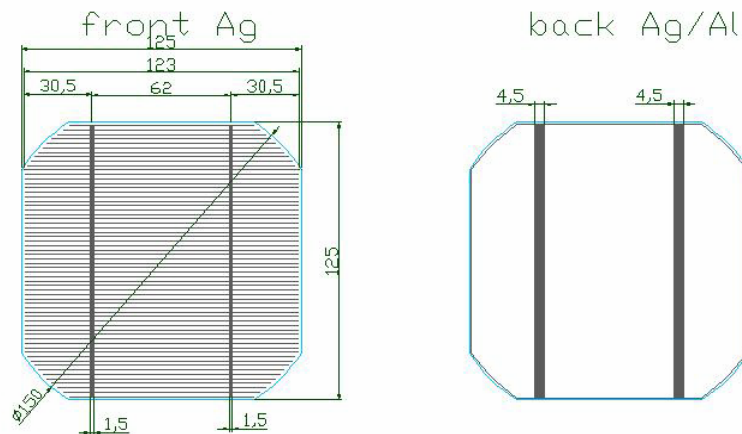


Type	5" monocrystalline cell
Dimension	125 mm × 125 mm ± 0.5 mm
Thickness	≥ 190 μm
Front Side	Silicon nitride anti-reflection-field. 1.5 mm silver busbar
Back Side	Full surface aluminum back-surface-field. 4.5 mm (silver/aluminum) continuous soldering pads

Model	Efficiency	Power	Maximum power current	Maximum power voltage	Short circuit current	Open circuit voltage
	Eff (%)	Ppm (W)	Ipm (A)	Vpm (V)	Isc (A)	Voc (V)
TS-125-140	14.0-15.0	2.15	4.32	0.492	4.78	0.602
TS-125-150	15.0-15.2	2.23	4.46	0.500	4.86	0.607
TS-125-152	15.2-15.4	2.26	4.51	0.504	4.90	0.609
TS-125-154	15.4-15.6	2.29	4.56	0.507	4.93	0.611
TS-125-156	15.6-15.8	2.32	4.60	0.510	4.95	0.613
TS-125-158	15.8-16.0	2.35	4.64	0.512	4.98	0.615
TS-125-160	16.0-16.2	2.38	4.68	0.514	5.02	0.617
TS-125-162	16.2-16.4	2.41	4.72	0.516	5.05	0.619
TS-125-164	16.4-16.6	2.44	4.76	0.518	5.09	0.620
TS-125-166	16.6-16.8	2.47	4.80	0.520	5.14	0.621
TS-125-168	16.8-17.0	2.50	4.84	0.521	5.18	0.622
TS-125-170	17.0-17.2	2.54	4.87	0.522	5.24	0.623
TS-125-172	17.2-17.4	2.57	4.91	0.523	5.29	0.624
TS-125-174	17.4-17.6	2.60	4.96	0.524	5.34	0.625
TS-125-176	17.6-17.8	2.63	5.01	0.525	5.39	0.626
TS-125-178	17.8-18.0	2.66	5.06	0.526	5.44	0.627

* Under standard test condition : 1000 W/m², AM 1.5 G 25°C



Ver. D

Top Green Energy Technologies Inc.
NO.330 , Hesing Rd. Jhunan Towership ,
Miaoli Country 350 , Taiwan (R.O.C)
TEL : 886-37-580011 FAX :886-37-581200
E-mail: sales@tgenenergy.com.tw
<http://www.tgenenergy.com.tw/>